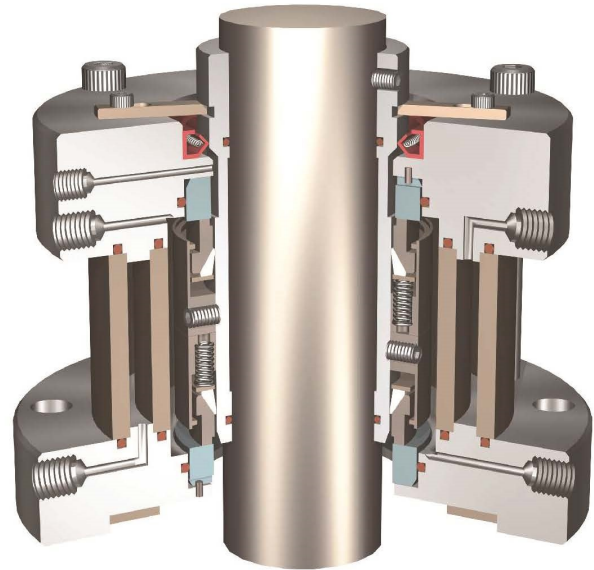


# MDUC

## DOUBLE CARTRIDGE SEAL

- RELIABLE DESIGN, PROVEN TRACK RECORD
- PRESSURIZED SEALANT
- FACTORY TESTED CARTRIDGE CONSTRUCTION
- AVAILABLE WITH / WITHOUT BEARING
- AVAILABLE IN DOUBLE DRY VERSION FOR STERILE APPLICATIONS
- JACKETED HOUSING

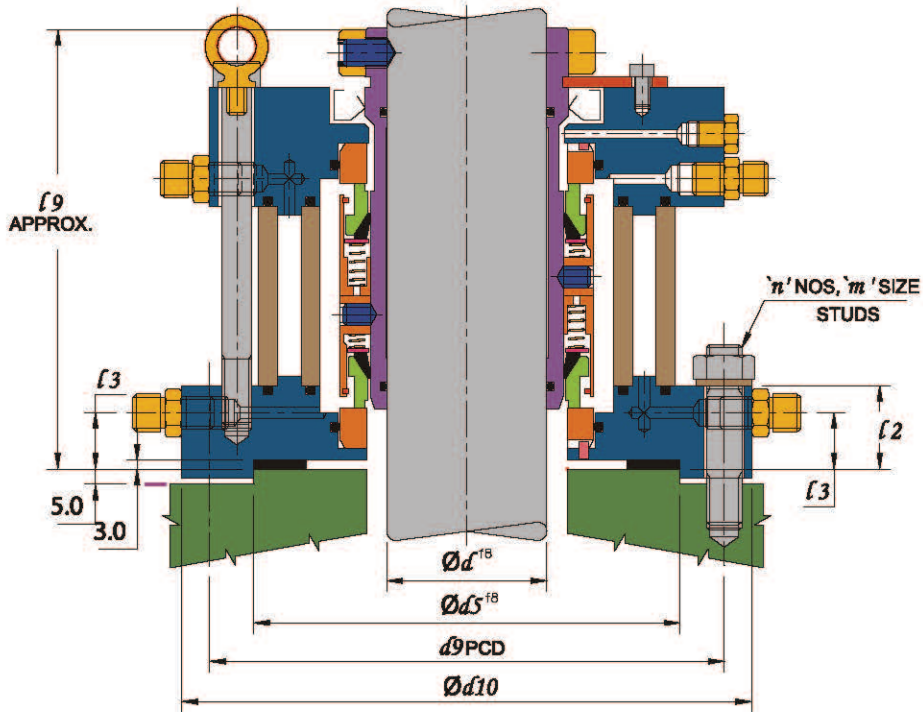


MDUC - HXXJC

### APPLICATIONS :

- TOP ENTRY AGITATORS
- MODERATE PRESSURES
- MULTIPURPOSE REACTORS

# INSTALLATION DIMENSIONS



SIZE CODE	$d$	$d_5$	$d_9$ PCD	$d_{10}$	$l_2$	$l_3$	$l_9$	$m$	$n$	SIZE CODE	$d$	$d_5$	$d_9$ PCD	$d_{10}$	$l_2$	$l_3$	$l_9$	$m$	$n$
0250	25.0	85.00	142.0	186.0	29.0	13.5	140.0	M12	4	0800	80.0	185.0	225.0	280.0	34.0	21.0	170.0	M16	8
0350	35.0	80.00	148.0	172.0	31.0	14.5	145.0	M12	4	0850	85.0	184.0	230.0	270.0	34.0	20.0	170.0	M20	8
0400	40.0	130.0	170.0	195.0	29.0	15.0	140.0	M16	4	0900	90.0	184.0	230.0	270.0	34.0	20.0	170.0	M20	8
0450	45.0	140.0	180.0	212.0	31.0	16.5	155.0	M16	4	1000	100.0	210.0	250.0	285.0	37.0	23.0	180.0	M20	8
0500	50.0	140.0	180.0	212.0	31.0	16.5	155.0	M16	4	1050	105.0	220.0	280.0	322.0	37.0	23.0	180.0	M20	8
0550	55.0	145.0	185.0	217.0	32.0	18.0	160.0	M16	4	1100	110.0	220.0	280.0	322.0	37.0	23.0	180.0	M20	8
0600	60.0	145.0	185.0	217.0	32.0	18.0	160.0	M16	4	1200	120.0	220.0	280.0	320.0	37.0	23.0	185.0	M20	8
0650	65.0	158.0	196.0	230.0	32.0	18.0	160.0	M16	8	1250	125.0	240.0	298.0	337.0	37.0	22.0	195.0	M20	8
0700	70.0	170.0	210.0	245.0	33.0	19.0	160.0	M16	8	1300	130.0	240.0	298.0	337.0	37.0	22.0	195.0	M20	8
0750	75.0	178.0	216.0	250.0	33.0	19.0	160.0	M16	8	1400	140.0	295.0	335.0	380.0	38.5	22.0	210.0	M22	12

## LIMITING PARAMETERS

PRESSURE
FULL VACUUM TO 16 BAR

TEMPERATURE
- 40° C TO 200° C*

SPEED
2 m/sec

\* For higher temperatures consult PSS

## MATERIALS

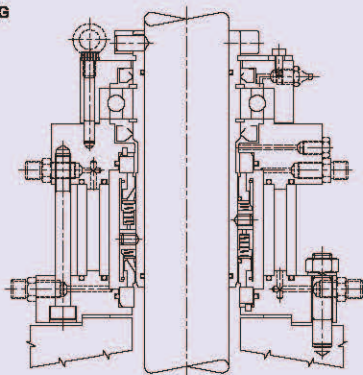
METAL PARTS
SS316
SPECIAL MOC ON REQUEST

SEAL FACES	
ROTARY	STATIONARY
CARBON	SIC, TC
SIC	SIC

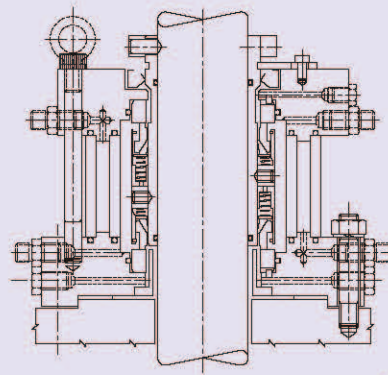
SEAL TYPE	ELASTOMERS
DSSUT	PTFE
DSSUV	VITON, FFKM EPR, AFLAS

## DESIGN VARIATIONS

WITH BEARING



DSSUV-HBBJC



LEAK DETECTION  
DEBRI COLLECTION

Due to continuous improvement specifications & dimensions may change without prior notice