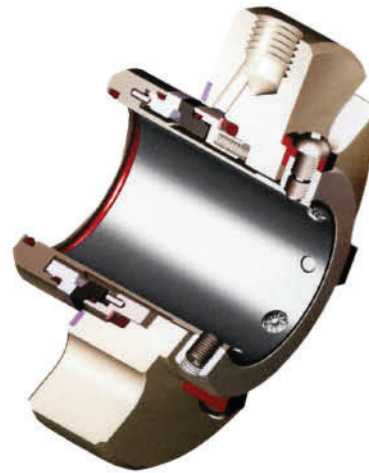


- STATIONARY SPRING DESIGN
- TOLERATES PRESSURE REVERSAL
- IDENTICAL MONOLITHIC FACES
- COMPACT DESIGN
- FITS STANDARD BORE PUMPS
- BIG BORE VERSION AVAILABLE
- EASY TO INSTALL
- SITE REPAIRABLE



### APPLICATIONS :

- PULP & PAPER
- MODERATE SLURRIES
- CRYSTALLISING SOLUTIONS
- ALL PROCESS PUMPS



#### LIMITING PARAMETERS

PRESSURE
UPTO 16 BAR

TEMPERATURE
- 40°C TO 280°C DEPENDING UPON ELASTOMER

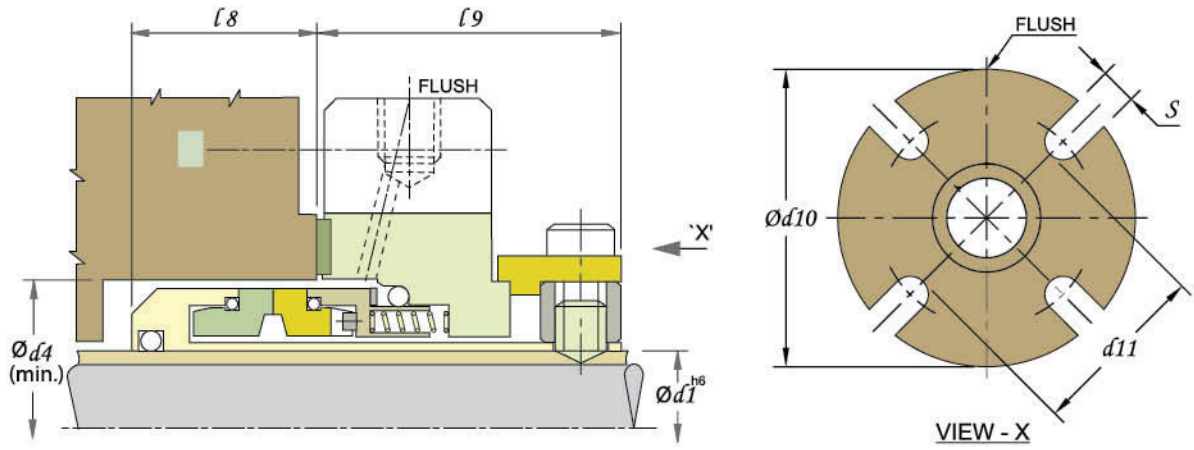
SPEED
26 m/sec

#### MATERIALS

METAL PARTS
SS316 ALLOY-20 HAST-C

FACE COMBINATIONS	
ROTARY	STATIONARY
SiC, TC	CARBON
SiC	SiC, TC
TC	SiC, TC

ELASTOMERS
VITON, NITRILE, PTFE NEOPRENE, EPR, KALREZ AFLAS, STV, SILICON



**INCH SIZES**

SIZE CODE	d1	d4	d10	d11	l8	l9	SLOT WIDTH S
0254	25.40	41.27	101.6	56.5	24.2	37.1	14.0
0285	28.57	44.45	105.0	61.5	24.2	37.1	14.0
0317	31.75	50.80	108.0	63.5	24.2	37.1	14.0
0349	34.92	50.80	108.0	68.5	24.2	37.1	14.0
0381	38.10	57.15	114.3	71.5	24.2	37.1	14.0
0412	41.27	60.32	114.3	75.5	24.2	37.1	14.0
0444	44.45	63.50	127.0	77.8	24.2	37.1	14.0
0476	47.62	66.67	133.4	81.0	24.2	37.1	14.0
0508	50.80	69.85	139.7	84.0	24.2	37.1	14.0
0539	53.97	73.02	146.0	89.0	24.2	37.1	18.0
0571	57.15	76.20	165.1	92.0	24.2	37.1	18.0
0603	60.32	79.37	165.1	97.0	24.2	37.1	18.0
0635	63.50	85.72	165.1	101.0	33.3	41.2	18.0
0666	66.67	88.90	177.8	103.0	33.3	41.2	18.0

SIZE CODE	d1	d4	d10	d11	l8	l9	SLOT WIDTH S
0698	69.85	92.07	177.8	111.0	33.3	41.2	18.0
0762	76.20	101.6	190.0	129.0	33.3	45.0	18.0
0793	79.37	105.0	195.0	132.0	33.3	45.0	18.0
0825	82.55	108.0	195.0	135.0	33.3	45.0	18.0
0857	85.72	111.1	198.0	139.0	33.3	45.0	22.0
0889	88.90	114.3	198.0	142.0	34.4	45.0	22.0
0920	92.07	117.5	205.0	145.0	34.4	45.0	22.0
0952	95.25	120.5	208.0	148.0	34.4	48.2	22.0
0984	98.42	124.0	208.0	151.0	34.4	48.2	22.0
1016	101.0	127.0	218.0	154.0	34.4	48.2	22.0
1079	107.95	133.3	228.5	168.2	35.4	53.2	22.0
1143	114.30	139.7	241.0	177.8	35.4	53.2	22.0
1206	120.65	146.0	254.0	186.5	35.4	53.2	24.0
1270	127.00	152.5	254.0	186.5	35.4	53.2	24.0

ALL DIMENSIONS IN MM

**METRIC SIZES**

SIZE CODE	d1	d4	d10	d11	l8	l9	SLOT WIDTH S
0250	25.0	41.0	101.6	56.5	24.2	37.1	14.0
0280	28.0	44.0	105.0	61.5	24.2	37.1	14.0
0300	30.0	51.0	108.0	63.5	24.2	37.1	14.0
0320	32.0	51.0	108.0	63.5	24.2	37.1	14.0
0330	33.0	51.0	108.0	68.5	24.2	37.1	14.0
0350	35.0	51.0	108.0	68.5	24.2	37.1	14.0
0380	38.0	57.2	114.3	71.5	24.2	37.1	14.0
0400	40.0	59.0	114.3	72.5	24.2	37.1	14.0
0430	43.0	63.5	127.0	77.8	24.2	37.1	14.0
0450	45.0	63.5	127.0	77.8	24.2	37.1	14.0
0480	48.0	66.7	133.4	81.0	24.2	37.1	14.0
0500	50.0	70.0	139.7	84.0	24.2	37.1	14.0
0530	53.0	73.0	146.0	89.0	24.2	37.1	18.0
0540	54.0	73.0	146.0	89.0	24.2	37.1	18.0

SIZE CODE	d1	d4	d10	d11	l8	l9	SLOT WIDTH S
0550	55.0	73.0	146.0	89.0	24.2	37.1	18.0
0580	58.0	79.4	165.1	97.0	24.2	37.1	18.0
0600	60.0	79.4	165.1	97.0	24.2	37.1	18.0
0630	63.0	85.7	165.1	101.0	33.3	41.2	18.0
0650	65.0	88.9	177.8	103.0	33.3	41.2	18.0
0680	68.0	92.0	177.8	111.0	33.3	41.2	18.0
0700	70.0	92.0	177.8	111.0	33.3	41.2	18.0
0750	75.0	101.6	190.0	129.0	33.3	45.0	18.0
0800	80.0	108.0	195.0	135.0	33.3	45.0	18.0
0850	85.0	111.1	198.0	139.0	33.3	45.0	22.0
0900	90.0	117.0	205.0	145.0	34.4	45.0	22.0
0950	95.0	120.5	208.0	148.0	34.4	48.2	22.0
1000	100.0	127.0	218.0	154.0	34.4	48.2	22.0

DIMENSIONS FOR HIGHER SIZES AVAILABLE ON REQUEST



Due to continuous improvement specifications & dimensions may change without prior notice