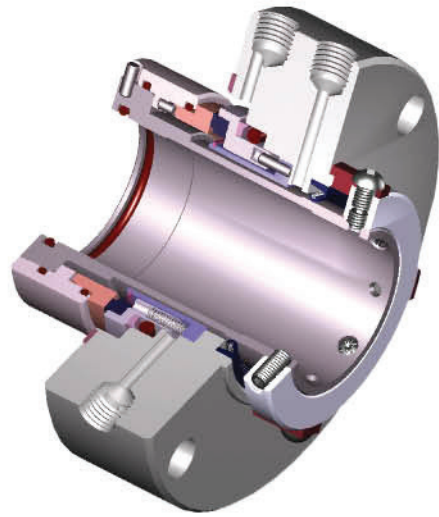


- HEAVY DUTY CONSTRUCTION
- REPLACES CONVENTIONAL DOUBLE SEALS
- NON CLOGGING, SPRING PROTECTED
- CAN TOLERATE PRESSURE REVERSAL
- STATIONARY SPRING DESIGN
- GUIDED QUENCH & DRAIN
- FITS ON ANSI BIG BORE & API PUMPS



APPLICATIONS :

- VACUUM DISTILLATION
- SLURRIES
- SALT SOLUTIONS
- BIG BORE PUMPS
- PROCESSING EQUIPMENTS



LIMITING PARAMETERS

PRESSURE
UPTO 25 BAR

TEMPERATURE
- 40°C TO 280°C DEPENDING UPON ELASTOMER

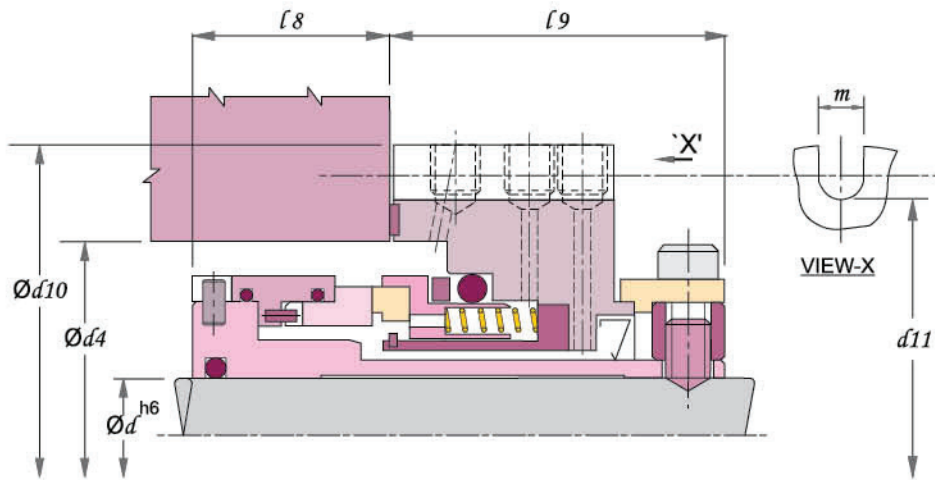
SPEED
26 m/sec

MATERIALS

METAL PARTS
SS316 ALLOY-20 HAST-C

FACE COMBINATIONS	
ROTARY	STATIONARY
SiC, TC	CARBON
SiC	SiC, TC
TC	TC

ELASTOMERS
VITON, NITRILE, PTFE NEOPRENE, EPR, KALREZ FEP, STV, AFLAS

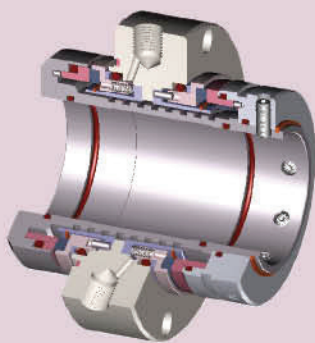


INCH SIZES

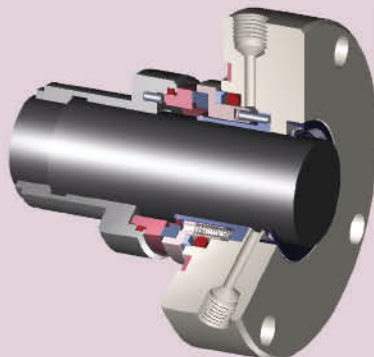
SEAL CODE	d	min. d_4	max. d_4	d_{10}	d_{11}	l_8	l_9	m
0285	12.70	49.0	57.00	105.00	67.00	34.0	52.0	11.5
0317	19.05	55.4	60.25	110.00	70.00	34.0	52.0	11.5
0349	22.22	58.5	63.45	115.00	73.00	34.0	52.0	11.5
0381	25.40	61.7	66.65	118.00	76.00	34.0	52.0	11.5
0412	28.57	64.9	69.85	124.50	78.94	34.0	52.0	11.5
0444	31.75	68.4	71.58	128.00	82.00	31.0	52.0	11.5
0476	34.92	71.3	76.20	133.35	90.12	34.0	52.0	11.5
0508	38.10	74.4	77.60	138.00	92.00	34.0	52.0	13.5
0539	41.27	77.6	80.80	143.00	96.00	34.0	52.0	13.5
0571	44.45	80.8	95.25	165.10	110.97	35.5	52.0	13.5
0603	47.62	84.0	98.42	165.10	105.51	35.5	52.0	13.5
0635	50.80	87.1	96.00	170.00	108.00	35.5	52.0	13.5
0666	53.97	90.3	101.60	184.15	117.40	37.0	54.6	17.5
0698	57.15	93.5	107.00	191.00	121.00	37.0	54.6	17.5
0730	60.32	96.7	113.00	196.00	125.00	37.0	54.6	17.5
0762	63.50	100.2	127.00	209.55	139.62	37.0	54.6	17.5
0825	66.67	108.7	120.65	203.20	130.09	37.0	54.6	17.5
0952	76.20	122.2	130.17	209.55	142.79	37.0	54.6	17.5

DIMENSIONS FOR HIGHER SIZES AVAILABLE ON REQUEST

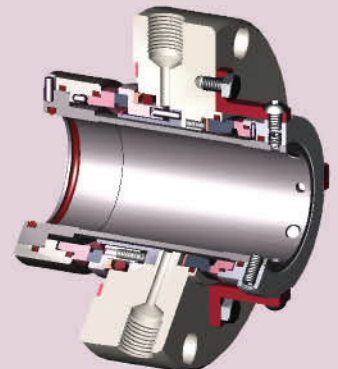
ALL DIMENSIONS IN MM



FOR PAPER PLANTS & ROOTS BLOWERS



SEMI-CARTRIDGE DESIGN



WITH QUENCH SEAL

Due to continuous improvement specifications & dimensions may change without prior notice