

- ECONOMIC CARTRIDGE DESIGN
- COMPACT BUT STURDY CONSTRUCTION
- MINIMUM NUMBER OF COMPONENTS
- UNIQUE DRIVE LUGS ARRANGEMENT
- FITS ALL ANSI LARGE BORE STUFFING BOXES
- EASY TO INSTALL



APPLICATIONS :

- PULP & PAPER
- MODERATE SLURRIES
- CRYSTALLISING SOLUTIONS
- ALL PROCESS PUMPS



LIMITING PARAMETERS

PRESSURE
UPTO 16 BAR

TEMPERATURE
- 40°C TO 280°C DEPENDING UPON ELASTOMER

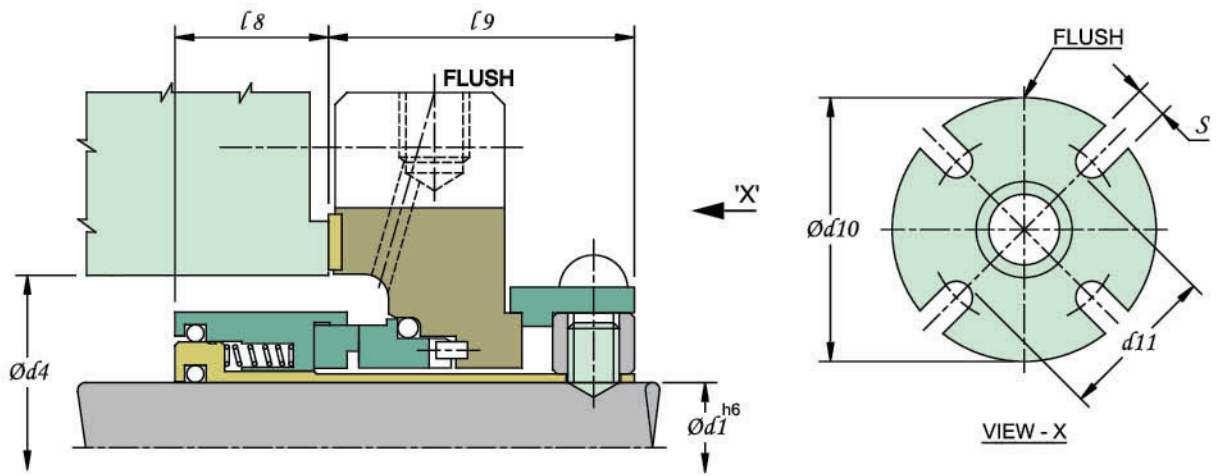
SPEED
26 m/sec

MATERIALS

METAL PARTS
SS316 ALLOY-20 HAST-C

FACE COMBINATIONS	
ROTARY	STATIONARY
SiC, TC	CARBON
SiC	SiC, TC
TC	SiC, TC

ELASTOMERS
VITON, NITRILE, PTFE NEOPRENE, EPR, KALREZ AFLAS, STV, SILICON



INCHES SIZES

SEAL CODE	d1	min. d4	max.	d10	d11	l8	l9	SLOT WIDTH S
0285	28.57	66.67	69.85	124.50	78.94	19.9	37.1	14.0
0349	34.92	69.21	76.20	133.35	90.11	21.9	37.1	14.0
0444	44.45	88.90	95.25	165.10	110.97	21.9	37.1	14.0
0476	47.62	92.07	98.42	147.00	105.51	21.4	37.1	14.0
0596	53.97	98.55	101.6	184.15	117.39	26.4	37.1	18.0
0635	63.50	114.3	127.0	209.55	139.62	26.4	41.2	18.0
0667	66.67	117.47	120.65	203.20	130.09	31.2	41.2	18.0
0762	76.20	123.82	130.17	209.55	142.79	30.7	45.0	18.0

ALL DIMENSIONS IN MM

METRIC SIZES

SEAL CODE	d1	min. d4	max.	d10	d11	l8	l9	SLOT WIDTH S
0280	28.00	66.67	69.85	124.50	78.94	19.9	37.1	14.0
0350	35.00	69.21	76.20	133.35	90.11	21.9	37.1	14.0
0450	45.00	88.90	95.25	165.10	110.97	21.9	37.1	14.0
0480	48.00	92.07	98.42	147.00	105.51	21.4	37.1	14.0
0530	53.00	98.55	101.6	184.15	117.39	26.4	37.1	18.0
0630	63.00	114.3	127.0	209.55	139.62	26.4	41.2	18.0
0650	65.00	117.47	120.65	203.20	130.09	31.2	41.2	18.0
0750	75.00	123.82	130.17	209.55	142.79	30.7	45.0	18.0

DIMENSIONS FOR HIGHER SIZES AVAILABLE ON REQUEST

DESIGN VARIATIONS

