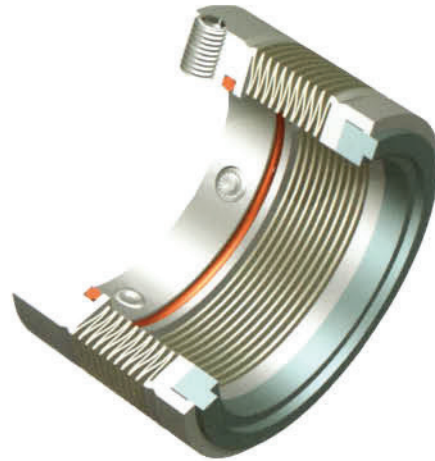


- INHERENTLY BALANCED
- NO SHAFT FRETTING
- FITS ON ANSI, ISO & DIN PUMPS
- AVAILABLE IN AM350, HAST-C & INCONEL
- ALLOY-20 CONSTRUCTION
- CONVERTIBLE TO CARTRIDGE DESIGN



APPLICATIONS :

- THERMIC FLUID
- PETROCHEMICALS
- REFINERY SERVICES
- FATTY ACID



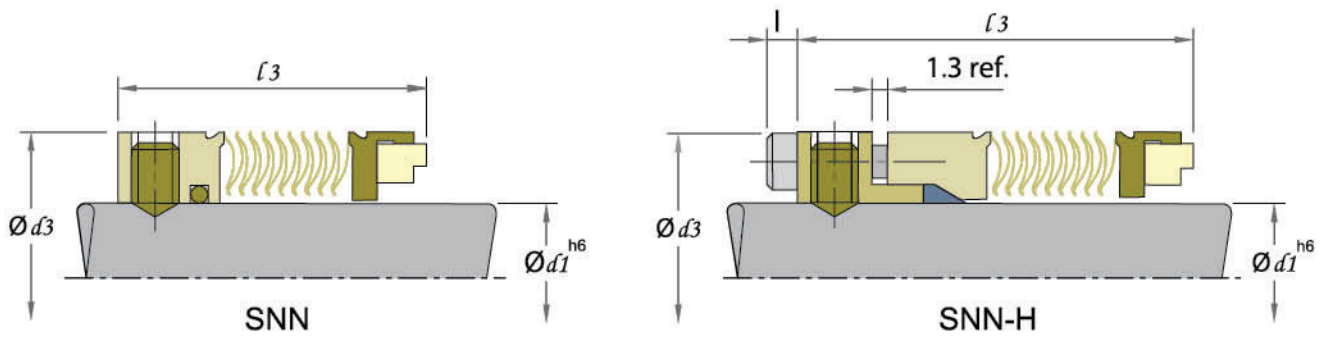
LIMITING PARAMETERS

PRESSURE	TEMPERATURE		SPEED
	SNN-B	SNN-H	
UPTO 20 BAR	- 70°C TO 200°C	- 70°C TO 350°C	26 m/sec

MATERIALS

END FITTINGS			BELLOWS		FACE COMBINATIONS		ELASTOMERS	
SNN-B	SNN-H		SNN-B	SNN-H	ROTARY	STATIONARY	SNN-B	SNN-H
SS316 HAST-C	SEAL RING SHELL	CARP-42	HAST-C AM350 INCONEL	AM350	CARBON SiC TC	SiC, TC SiC SiC, TC	PTFE, VITON KALREZ, GFT EPR, FEP, STV	FLEXIBLE GRAPHITE
	COLLAR	SS316						

Registered Trademarks : Viton - Du Pont, Hastelloy - Haynes International, Inc. Kalrez - Du Pont Aflas - Asahi Glass Co.



INCH SIZES

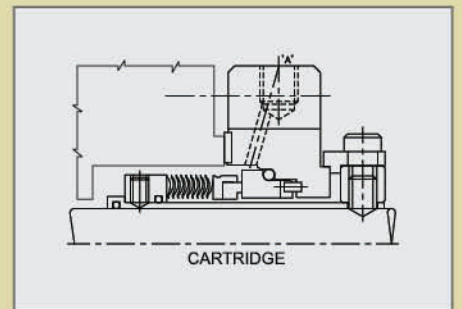
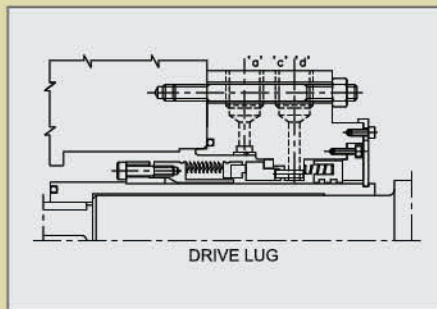
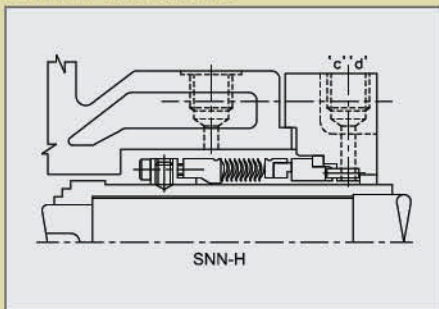
SIZE CODE	$d1$	$d3$	$l3$
0254	25.40	37.00	31.75
0285	28.57	42.80	31.75
0317	31.75	46.00	33.30
0349	34.92	49.20	36.50
0381	38.10	52.40	36.50
0412	41.27	55.60	36.50
0444	44.45	58.70	36.50
0476	47.62	61.90	38.10
0508	50.80	65.10	38.10
0539	53.97	68.20	38.10
0571	57.15	71.40	38.10
0603	60.32	74.60	39.70
0635	63.50	81.00	39.70
0666	66.67	84.12	41.30
0730	73.02	87.30	41.30
0762	76.20	92.10	42.80
0793	79.37	95.20	42.80
0825	82.55	98.40	44.50
0857	85.72	101.6	44.50
0889	88.90	104.8	44.50
0920	92.07	108.0	47.60
0952	95.25	114.3	47.60
0984	98.42	117.5	47.60
1016	101.6	120.7	47.60

SIZE CODE	$d1$	$d3$	l	$l3$
0254	25.40	39.70	3.2	42.9
0285	28.57	42.80	3.2	39.7
0317	31.75	46.00	3.2	42.0
0349	34.92	49.10	3.2	49.1
0381	38.10	55.10	4.2	44.5
0412	41.27	58.29	4.2	44.5
0444	44.45	61.50	4.2	49.7
0476	47.62	64.60	4.2	44.5
0508	50.80	67.80	4.2	49.7
0539	53.97	71.00	4.2	44.5
0571	57.15	74.20	4.2	47.6
0603	60.32	77.30	4.2	47.6
0635	63.50	81.00	4.2	47.6
0666	66.67	84.12	4.2	47.6
0730	73.02	92.10	4.8	47.6
0762	76.20	95.30	4.8	47.6
0793	79.37	98.40	4.8	47.6
0825	82.55	101.6	4.8	47.6
0857	85.72	104.8	4.8	47.6
0889	88.90	108.0	4.8	47.6
0920	92.07	111.1	4.8	47.6
0952	95.25	114.3	4.8	47.6
0984	98.42	117.5	4.8	47.6
1016	101.6	120.7	4.8	47.6

DIMENSIONS FOR HIGHER SIZES AVAILABLE ON REQUEST

ALL DIMENSIONS IN MM

DESIGN VARIATIONS



Due to continuous improvement specifications & dimensions may change without prior notice