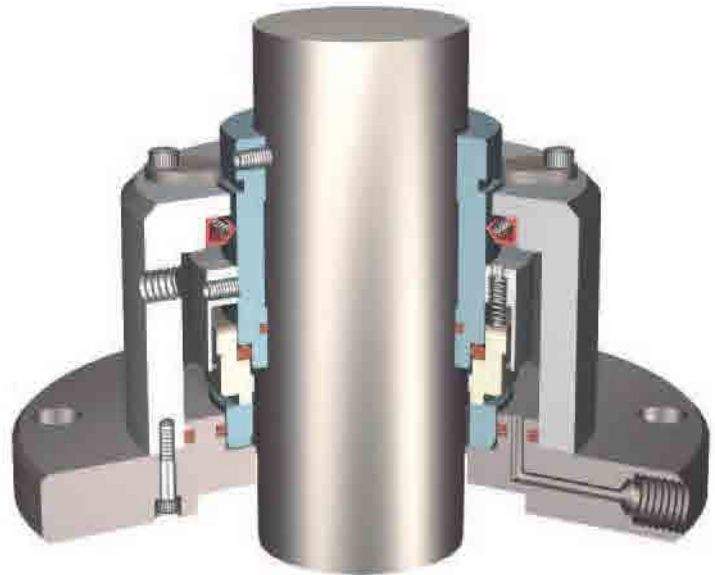


SINGLE DUAL BALANCED AGITATOR SEALS

- DRY/WET RUNNING OPTION
- FOR VESSEL PRESSURE UPTO 6 BAR
- UN-PRESSURISED SEALANT
- CARTRIDGE CONSTRUCTION
- GMP OPTION AVAILABLE
- EXTENDED SERVICE LIFE

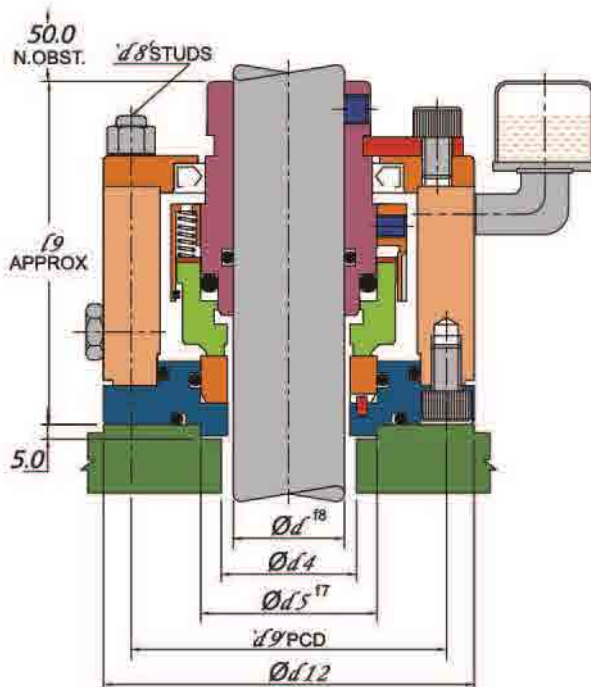


MSWC seals employ dual balanced multi spring seals with dynamic 'O' ring of bigger cross-section for higher reliability. Seal ring is of heavy duty design and stationery face is hydraulically balanced to avoid accidental pop-up.



APPLICATIONS :

- REACTORS
- HIGH VACUUM APPLICATIONS



SIZE CODE	d	d4	d5	d8	d9'PCD	d12	l9	SIZE CODE	d	d4	d5	d8	d9'PCD	d12	l9
0250	25.0	30.0	47.5	4,M8	85.00	100.0	95.00	0900	90.00	95.00	115.0	4,M10	157.5	180.0	120.0
0300	30.0	35.0	47.5	4,M8	85.00	100.0	95.00	0950	95.00	100.0	120.0	4,M12	165.0	187.5	120.0
0350	35.0	40.0	53.5	4,M8	92.50	107.5	95.00	1000	100.0	105.0	120.0	4,M12	165.0	187.5	120.0
0400	40.0	45.0	60.0	4,M8	97.50	112.5	100.0	1050	105.0	110.0	127.5	4,M12	172.5	195.0	120.0
0450	45.0	50.0	67.5	4,M8	102.5	117.5	105.0	1100	110.0	115.0	132.5	6,M12	185.0	207.5	120.0
0500	50.0	55.0	72.5	4,M8	115.0	130.0	110.0	1150	115.0	120.0	140.0	6,M12	187.5	210.0	125.0
0550	55.0	60.0	72.5	4,M8	115.0	130.0	110.0	1200	120.0	125.0	145.0	6,M12	195.0	217.5	125.0
0600	60.0	65.0	80.0	4,M8	125.0	140.0	110.0	1250	125.0	130.0	145.0	6,M12	195.0	217.5	125.0
0650	65.0	70.0	86.0	4,M10	132.5	152.5	110.0	1300	130.0	135.0	152.5	6,M12	202.5	225.0	125.0
0700	70.0	75.0	92.5	4,M10	137.5	157.5	110.0	1350	135.0	140.0	162.5	6,M12	207.5	230.0	125.0
0750	75.0	80.0	92.5	4,M10	137.5	157.5	110.0	1400	140.0	145.0	165.0	6,M12	215.0	237.5	125.0
0800	80.0	85.0	97.5	4,M10	145.0	165.0	120.0	1450	145.0	150.0	177.5	6,M12	220.0	242.5	130.0
0850	85.0	90.0	105.0	4,M10	150.0	170.0	120.0	1500	150.0	155.0	185.0	6,M12	227.5	250.0	130.0

LIMITING PARAMETERS

PRESSURE
FULL VACUUM TO 6 BAR

TEMPERATURE
- 40° C TO 150° C

SPEED
2 m/sec

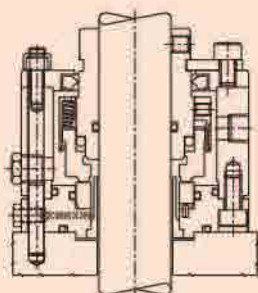
MATERIALS

METAL PARTS
SS316
SPECIAL MOC ON REQUEST

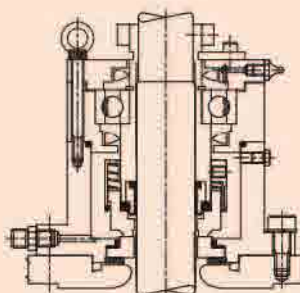
FACE COMBINATIONS	
ROTARY	STATIONARY
CARBON	SiC, TC
SiC	SiC

ELASTOMERS
VITON, EPR, SILICON RUBBER
PTFE, GFT, STV
AFLAS, FFKM

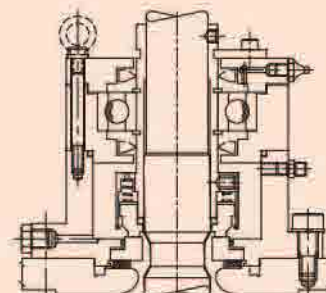
DESIGN VARIATIONS



DEBRI COLLECTION



GLASS LINED SHAFT



• SPECIAL ALLOY REACTORS
• GLASS LINED SHAFT