

MDBC-HD

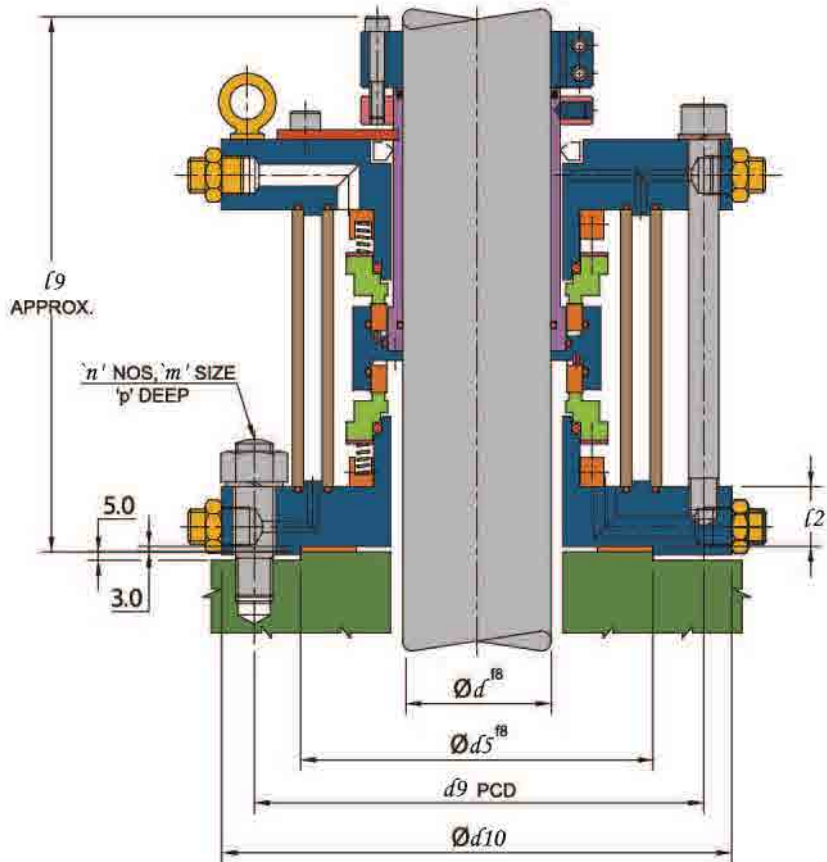
DOUBLE DUAL BALANCED HEAVY DUTY CARTRIDGE SEALS

- SPRING STATIONARY DESIGN FOR HIGH SPEED
- MINIMUM FRETTING & VIBRATIONS
- INDEPENDENT OF PAD FLANGE SQUARENESS AND THERMAL DISTORTIONS OF THE EQUIPMENT
- SAFE & SECURE SPLIT CLAMPS FOR TORQUE TRANSMISSION
- DUAL BALANCED HEAVY DUTY SEAL WITH AUTO-REVERSAL FOR MAXIMUM SAFETY



APPLICATIONS :

- GAS INDUCTION REACTORS
- HIGH SPEED HIGH PRESSURE AUTOCLAVES



SIZE CODE	d	$d5$	$d9$ PCD	$d10$	$l2$	$l9$	m	n
0400	40.0	155.0	195.0	220.0	30.0	245.0	M16	8
0500	50.0	160.0	200.0	220.0	30.0	290.0	M12	8
0600	60.0	170.0	210.0	240.0	30.0	285.0	M16	8
0700	70.0	190.0	240.0	275.0	31.0	285.0	M20	8
0800	80.0	190.0	240.0	275.0	31.0	285.0	M20	8
0900	90.0	240.0	300.0	340.0	31.0	295.0	M20	8
1000	100.0	240.0	300.0	340.0	31.0	295.0	M20	8
1100	110.0	275.0	320.0	355.0	45.0	330.0	M20	12
1200	120.0	275.0	320.0	355.0	45.0	330.0	M20	12
1300	130.0	270.0	340.0	380.0	45.0	350.0	M20	12
1400	140.0	313.0	350.0	385.0	45.0	315.0	M20	12
1500	150.0	313.0	350.0	385.0	45.0	315.0	M20	12

OTHER SIZES AVAILABLE ON REQUEST

LIMITING PARAMETERS

PRESSURE
FULL VACUUM TO 60 BAR *

TEMPERATURE
- 40°C TO 200°C **

SPEED
2 m/sec

* Special designs for higher pressures upto 150 bar

** For higher temperatures consult PSS

MATERIALS

METAL PARTS
SS316
SPECIAL MOC ON REQUEST

FACE COMBINATIONS	
ROTARY	STATIONARY
CARBON	SIC, TC
SIC	SIC

SEAL TYPE	ELASTOMERS
MDBC-HDT	PTFE
MDBC-HD	VITON, FFKM EPR, AFLAS

Due to continuous improvement specifications & dimensions may change without prior notice